

# LH-2402 24-INCH 1080P ERGONOMIC LCD DESKTOP MONITOR



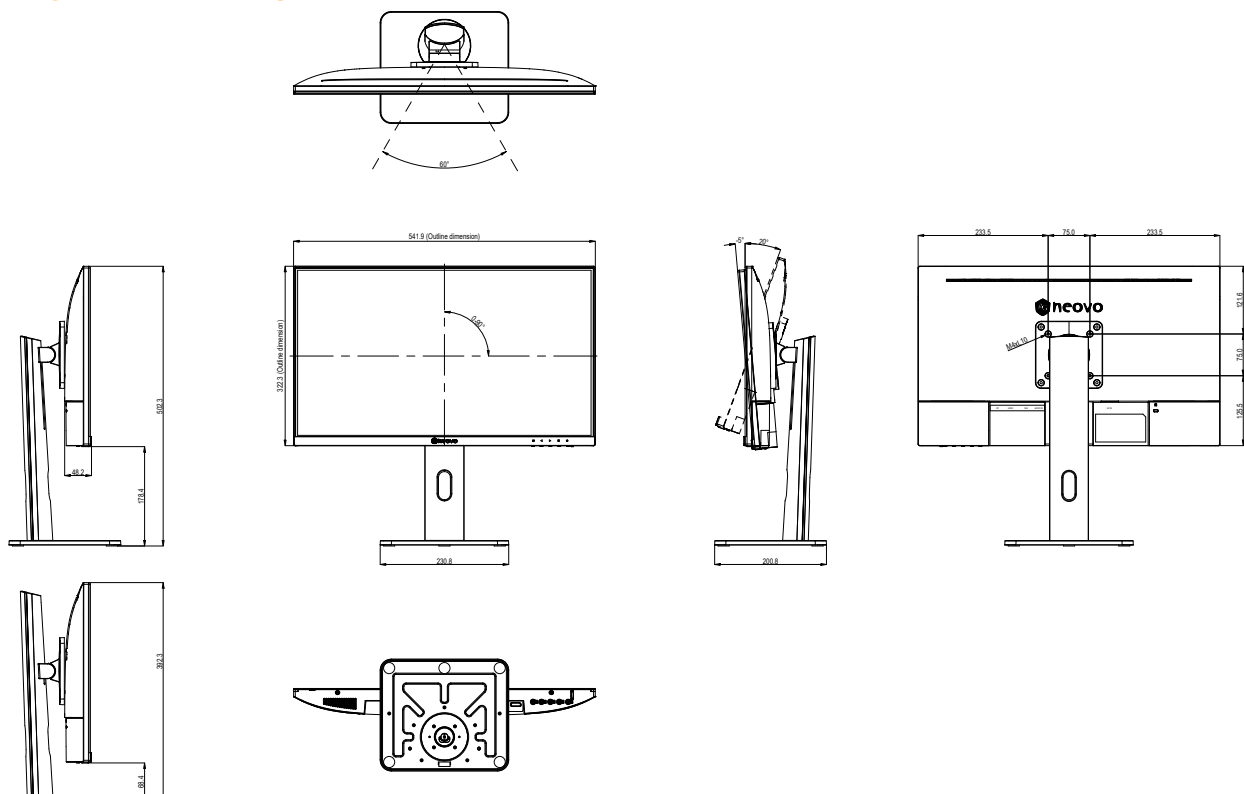
## FEATURES

- LED-backlit technology with 1920x1080 resolution
- Full ergonomic stand: including tilt, swivel, pivot and height adjustment
- 3-sided bezel less design for seamless multi-display setups
- Wide Viewing Angle ensures the images being clear in every viewing angle
- Flicker-free backlight and blue light reducer for eye comfort
- Versatile connectivity: DisplayPort, HDMI, VGA
- Built-in 1W speakers
- VESA mounting for flexible installation



The LH-2402 is a 24" Full HD ergonomic monitor with eye care features for desktop daily use at the office and home. It supports tilting the screen from -5 to 20 degrees, or  $\pm 30$  degrees swivel the monitor; adjusting the height up to 110mm to reach the eye level or shifting to either portrait or landscape mode. In addition, its flicker-free technology and a blue light filter can ensure a comfortable viewing experience by reducing eyestrain after long periods of use.

## TECHNICAL DRAWING



## SPECIFICATIONS

### Panel

Panel Type	LED-Backlit TFT LCD (VA Technology)
Panel Size	23.8"
Max. Resolution	FHD 1920 x 1080
Pixel Pitch	0.275 mm
Brightness	250 cd/m <sup>2</sup>
Contrast Ratio	20,000,000 (DCR)
Viewing Angle (H/V)	178°/178°
Display Colour	16.7M
Response Time	5 ms

### Frequency

Frequency (H)	30-82K Hz
Frequency (V)	50-75 Hz

### Signal Input

DisplayPort	1.2 x 1
HDMI	1.4 x 1
VGA	15-Pin D-Sub x 1

### Audio

Audio In	Stereo Audio Jack (3.5 mm)
Internal Speakers	1 W x 2

### Power

Power Supply	Internal
Power Requirements	AC 100-240V, 50/60 Hz
On Mode	17W (On)
Standby Mode	< 0.5W
Off Mode	< 0.3W

### Operating Conditions

Temperature	0°C-40°C (32°F-104°F)
Humidity	20%-85% (non-condensing)

### Storage Conditions

Temperature	-20°C-60°C (-4°F-140°F)
Humidity	5%-95% (non-condensing)

### Mounting

VESA FPM/PMI	Yes (75 x 75 mm)
--------------	------------------

### Stand

Tilt	-5° to 20°
Pivot	0° to 90°
Swivel	± 30°
Height Adjustment	0-110 mm

### Security

Kensington Security Slot	Yes
--------------------------	-----

### Dimensions

Product with Base (W x H x D)	541.9 x 502.3 x 200.8 mm (21.3" x 19.8" x 7.9")
Product w/o Base (W x H x D)	541.9 x 322.3 x 48.2 mm (21.3" x 12.7" x 1.9")
Packaging (W x H x D)	651.0 x 470.0 x 168.0 mm (25.6" x 18.5" x 6.6")

### Weight

Product with Base	5.0 kg (11.0 lb)
Product w/o Base	2.8 kg (6.2 lb)
Packaging	6.4 kg (14.1 lb)

### Regulation Approval

Certifications & Compliance	CE, LVD, WEEE, RoHS, REACH, UKCA, FCC, ICES 003, EAC
-----------------------------	--

### Accessories

Supplied	HDMI Cable, Power Cord, Quick Start Guide
----------	---

### Optional Accessories

Wall Mount	PMK-01, WMA-01, WMK-01
Desk Mount	DMC-01, DMC-02D, DMS-01D, ES-02

