

# IND-42M2808M0A

SKU: 233796



Mini Network Dome Fix, 1920x1080, Day/Night, WDR, AI 2,8-8mm, IR, 12VDC, PoE, IP66

## Main Features

- 1/2.8" Sony STARVIS CMOS sensor, 2 MP/60fps
- AI analysis functions including object classification
- WDR 120dB, 3D-DNR Noise Reduction
- Motorized varifocal lens 2.8-8mm
- Smart Codec H.265/H.264, multi-streaming
- Browser independent (IE, Edge, Safari, Firefox, Chrome)

- Supports ONVIF Profile S and Profile T
- Multilingual menu navigation (OSD)
- Local storage via Micro SD card
- Supports audio and external alarm input and output
- Power supply 12VDC or PoE IEEE 802.3af
- IR LED illumination, IP66 and vandal proof IK10

## Specifications

Series	eneo IN-Series
Camera:	
Camera type	Dome
Sensor size	1/2.8"
Resolution Standard	HD 1080p
Imager	CMOS, Sony STARVIS, Sensor IMX307
System	True Day&Night
Sensitivity	0,002 Lux, at F1.2
Low Speed Shutter	yes
Manual electronic shutter (MES)	1/5 ~ 1/20.000sec.
Automatic electronic shutter (ESC)	1/5 ~ 1/20.000sec.

# IND-42M2808M0A

## Continuation of the specifications

Wide Dynamic Range (WDR)	DOL-WDR 120dB,D-WDR
Flickerless function	yes
Backlight Compensation	BLC,HLC
Day&Night switch	ICR
Day&Night mode	auto,day,night,Image,time
White balance	automatic>manual
Signal-to-noise ratio	36dB
Video:	
Resolution	1920x1080 (16:9),1280x960 (4:3),1280x720 (16:9),640x480 (4:3),320x240 (4:3)
Image resolution max.	1920x1080
Image display	16:9,4:3,VerticalView 90°
Stream types	Triple-Stream(Main/Sub/Mobile)
Image Transmission Rate	60 fps
Video compression	H.264,H.265,H.264+ (Smart Stream),H.265+ (Smart Stream),M-JPEG
Lens:	
Lens Type	Varifocal (motorized)
Zoom Factor	2,8x
Focal Length	2,8 - 8 mm
Digital Zoom	yes
MOD (Minimum Object Distance)	0,8 m
Iris Control	DC
Vertical Angle of View	55 - 26°
Horizontal Angle of View	107 - 45°
DORI:	
Detect (25px/m)	45,7 - 119,5 m
Observe (62 px/m)	17,8 - 30,3 m
Recognize (125 px/m)	8,4 - 23,7 m
Identify (250 px/m)	4,1 - 11,7 m
Functions:	
Multicast compliant	yes
Motion Detector	yes
Analysis functions	intrusion,Line detection,Object classification (person / vehicle),Object left,removed,trip wire detection with counting and direction detection,Crowd detection,Queue management,Heatmapping,audio detection,face recognition,license plate recognition,License plate detection,Face detection
Alarm processing	recording internal storage,E-Mail,HTTP,FTP,TCP,UDP,alarm out
Rotation range	350°
Vertical tilt range	0 ~ +80°
Audio support	yes

# IND-42M2808M0A

## Continuation of the specifications

Audio	2 Way Audio, 1/1 Line input and output
Password protection	administrator & users
Internal storage	microSDHC card,microSDXC card
Menu languages	English,German,French,Italian,Portugese,Spanish,Turkish,Russian,Japanese
Privacy zone masking	Areas-ON/OFF switchable
Remote configuration	web browser
Web browser	MS Internet Explorer 10/11,Safari V12.1 above,Firefox V.52 above,Google Chrome V.57 above,Edge V.79 above
Mirror function	flip,mirror
Digital Noise Reduction	yes
Digital noise reduction (DNR)	3D-DNR
Network:	
Network protocols	TCP/IP,HTTP,DHCP,DNS,DDNS,RTP,RTSP,SMTP,NTP,UPnP,SNMP,HTTPS,FTP
Interfaces / Inputs/ Outputs:	
Video outputs	no
External connectors	RJ-45,micro SD card slot,alarm in/output,audio input/output,12VDC input (DC plug),connection cable approx.45cm
Ethernet interface	10Base-T,100Base-TX
Alarm inputs	1
Alarm outputs	1
Serial interfaces	Ethernet
General:	
Dimensions (HxWxD)	115x91,6mm
Weight	480g
Illumination	infrared
Illumination	4x High Power LEDs 850nm
Illumination range	approx. 20m
Color (housing)	RAL9003,Pantone P 179-1
Color (bubble)	clear
Housing	outdoor
Housing material	aluminium
Heater	no
Camera Type	License plate recognition,Retail Intelligence,People Count,Face recognition
Power consumption	7W
Blower	no
Mounting	wall mount,ceiling mount
ONVIF	ONVIF Profile G,ONVIF Profile S,ONVIF Profile T
Power over Ethernet	IEEE 802.3af

# IND-42M2808M0A

## Continuation of the specifications

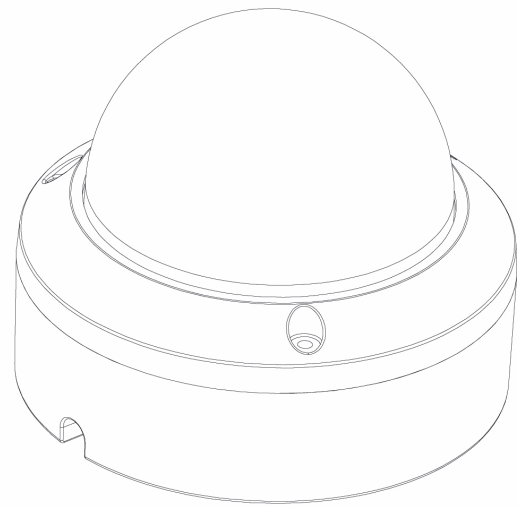
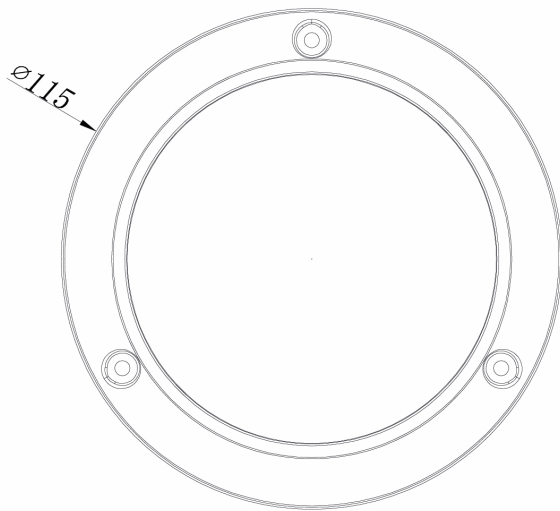
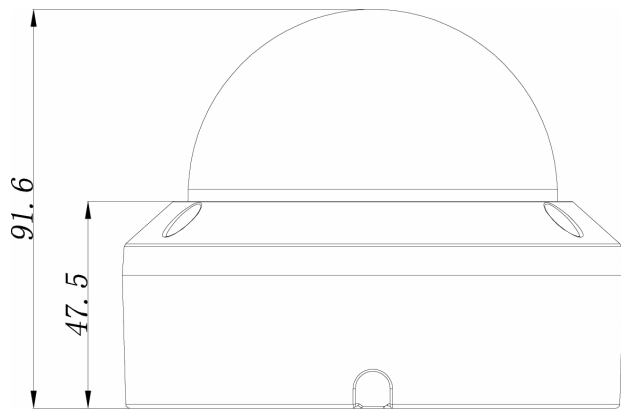
Protection rating	IP66
SDK	upon request
Supply voltage	12VDC,PoE
Operating temperature	-35°C ~ +60°C,@ Humidity 90% or less (non-condensing)
Text display	ON/OFF switchable
Vandal proof	yes
Certifications	IK10
Parts supplied:	
Parts supplied	manual,bag of screws
Remarks	NDAA compliance under Section 889, Part A.,The Face Detection and License Plate Recognition functions are only available with an inserted SD card or in conjunction with a recorder from the eneo IN series.

## Optional Accessory

SKU	Name	Description
234753	AK-22	Kamera Anschlussbox für Mini Dome IND-42M2808M0A Wand- oder Deckenmontage
234754	AK-23	Camera connection box for Mini Dome IND-42M2808M0A for holder Dome-WB6/Dome-CH6
235339	AK-24	Dual camera connection box for Bullet or Fix Dome IN-Series cameras
234756	DOME-CH6	Ceiling pipe for Junction box AK-23 and Wall bracket DOME-WB6
234755	DOME-WB6	Wall bracket for Connection box AK-23 and Ceiling pipe DOME-CH6
234757	DOME-WB7	Wall bracket for Mini Dome IND-42M2808M0A
218218	eneo Site Manager	Management Software for eneo IP products
236198	IPC Installation Tool	Supports adjustments for cameras with AI features for IN-series
235340	WB-24	Wall bracket for Dual camera connection box AK-24

# IND-42M2808M0A

## Technical Drawing



Maße / Dimensions: mm

