

IND-65M2713M0A

SKU: 235253



Network Dome Fix, 2592x1944, Day/Night, WDR, AI 2,7-13,5mm, IR, 12VDC, IP67

Main Features

1/2.7" CMOS sensor, 5 MP/30fps

AI analysis functions including object classification

WDR 120dB, 3D-DNR Noise Reduction

Motorized varifocal lens 2.7-13.5mm

Smart Codec H.265/H.264, multi-streaming

Browser independent (IE, Edge, Safari, Firefox, Chrome)

Supports ONVIF Profile S and Profile T

Multilingual menu navigation (OSD)

Local storage via Micro SD card

Supports audio and external alarm input and output

Power supply 12VDC or PoE IEEE 802.3af

IR LED illumination, IP67 and vandal proof IK10

Specifications

Series	eneo IN-Series
Camera:	
Camera type	Dome
Sensor size	1/2.7"
Resolution Standard	5 Megapixel
Imager	CMOS, OmniVision, OS05A20
System	True Day&Night
Sensitivity	0,003 Lux, at F1.6
Low Speed Shutter	yes, no
Manual electronic shutter (MES)	1/5 ~ 1/20.000sec.
Automatic electronic shutter (ESC)	1/5 ~ 1/20.000sec.

IND-65M2713M0A

Continuation of the specifications

Wide Dynamic Range (WDR)	DOL-WDR 120dB, WDR 120dB
Flickerless function	yes
Backlight Compensation	BLC, HLC
Day&Night switch	ICR
Day&Night mode	auto, day, night, Image, time
White balance	automatic, manual
Signal-to-noise ratio	39dB
Video:	
Resolution	2592x1944 (4:3), 2592x1520 (16:9), 2304x1296 (16:9), 1920x1080 (16:9), 1280x960 (4:3), 640x480 (4:3), 320x240 (4:3)
Image resolution max.	2592x1944
Image display	16:9, 4:3, VerticalView 90°
Stream types	Triple-Stream(Main/Sub/Mobile)
Image Transmission Rate	30 fps
Video compression	H.264, H.265, H.264+ (Smart Stream), H.265+ (Smart Stream), M-JPEG
Lens:	
Lens Type	Varifocal (motorized)
Zoom Factor	4x
Focal Length	2,7 - 13,5 mm
Digital Zoom	yes
MOD (Minimum Object Distance)	0,3 m
Iris Control	DC
Vertical Angle of View	73 - 23°
Horizontal Angle of View	102 - 31°
DORI:	
Detect (25px/m)	62,5 - 260,3 m
Observe (62 px/m)	24,3 - 104,5 m
Recognize (125 px/m)	11,5 - 52,2 m
Identify (250 px/m)	5,2 - 25,6 m
Functions:	
Multicast compliant	yes
Motion Detector	yes
Analysis functions	intrusion, Line detection, Object classification (person / vehicle), Object left, removed, trip wire detection with counting and direction detection, Crowd detection, Queue management, Heatmapping, audio detection, face recognition, license plate recognition, License plate detection, Face detection
Alarm processing	recording internal storage, E-Mail, HTTP, FTP, TCP, UDP, alarm out
Rotation range	350°
Vertical tilt range	0~ +75°

IND-65M2713M0A

Continuation of the specifications

Audio support	yes
Audio	2 Way Audio,1/1 Line input and output
Password protection	administrator & users
Internal storage	microSDHC card,microSDXC card
Menu languages	English,German,French,Italian,Portugese,Spanish,Turkish,Russian,Japanese
Privacy zone masking	Areas-ON/OFF switchable
Remote configuration	web browser
Web browser	MS Internet Explorer 10/11,Safari V12.1 above,Firefox V.52 above,Google Chrome V.57 above,Edge V.79 above
Mirror function	flip,mirror
Digital Noise Reduction	yes
Digital noise reduction (DNR)	3D-DNR
Network:	
Network protocols	TCP/IP,HTTP,DHCP,DNS,DDNS,RTP,RTSP,SMTP,NTP,UPnP,SNMP,HTTPS,FTP
Interfaces / Inputs/ Outputs:	
External connectors	RJ-45,micro SD card slot,alarm in/output,audio input/output,12VDC input (DC plug),connection cable approx.45cm
Ethernet interface	10Base-T,100Base-TX
Alarm inputs	1
Alarm outputs	1
Serial interfaces	Ethernet
General:	
Dimensions (HxWxD)	148.0x109.0mm
Weight	950g
Illumination	infrared
Illumination	4x High Power LEDs 850nm
Illumination range	approx. 30m
Color (housing)	RAL9003,Pantone P 179-1
Color (bubble)	clear
Housing	outdoor
Hosuing material	aluminium
Heater	no
Camera Type	License plate recognition,Retail Intelligence,People Count,Face recognition
Power consumption	7.5W
Blower	no
Mounting	wall mount,ceiling mount
ONVIF	ONVIF Profile G,ONVIF Profile S,ONVIF Profile T
Power over Ethernet	IEEE 802.3af

IND-65M2713M0A

Continuation of the specifications

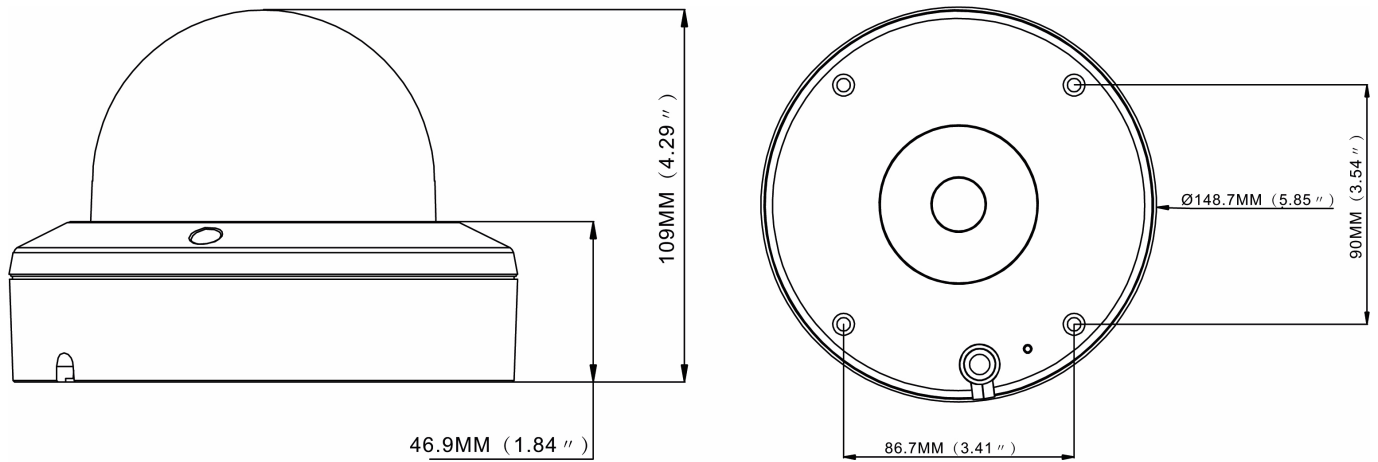
Protection rating	IP67
SDK	upon request
Supply voltage	12VDC,PoE
Operating temperature	-35°C ~ +55°C,@ Humidity 90% or less (non-condensing)
Text display	ON/OFF switchable
Vandal proof	yes
Certifications	IK10
Parts supplied:	
Parts supplied	manual,bag of screws
Remarks	NDAA compliance under Section 889, Part A.,The Face Detection and License Plate Recognition functions are only available with an inserted SD card or in conjunction with a recorder from the eneo IN series.

Optional Accessory

SKU	Name	Description
235339	AK-24	Dual camera connection box for Bullet or Fix Dome IN-Series cameras
235525	AK-25	Camera junction box for ceiling pipe DOME-CH6 and wall bracket DOME-WB6
235526	AK-26	Camera junction box for wall- and ceiling mount Fix dome cameras IN-Serie
218218	eneo Site Manager	Management Software for eneo IP products
236198	IPC Installation Tool	Supports adjustments for cameras with AI features for IN-series
235340	WB-24	Wall bracket for Dual camera connection box AK-24

IND-65M2713M0A

Technical Drawing



Maße / Dimensions: mm

