



# IND-58M2812MTA

SKU: 236667



Network Dome Fix, Turret 3840x2160, Day/Night, WDR, AI 2,8-12mm, IR, 12VDC, PoE, IP67

## Main Features

- ..... 1/2,8" Sony STARVIS CMOS-Sensor
- ..... Maximale Auflösung 3840x2160 Pixel, 30fps
- ..... AI Analysefunktionen inklusive Objektklassifizierung
- ..... WDR 120dB, 3D-DNR Rauschunterdrückung
- ..... Motorisiertes Varifokal Objektiv 2,8-12mm
- ..... Smart Codec H.265/H.264, Multi-Streaming

- ..... Browserunabhängig (Edge, Safari, Firefox, Chrome)
- ..... Unterstützt ONVIF Profile S/T/G
- ..... Lokale Speicherung mittels Micro SD Karte
- ..... Unterstützt Audio und externen Alarm Ein- und Ausgang
- ..... Unterstützt aktive Abschreckung (Licht & Sirene)
- ..... IR- und Weißlicht LED Beleuchtung, IP67 und IK10

## Specifications

General:	
Illumination	2x High Power LEDs 850nm,2x White Light LED,infrared,white light
SDK	upon request
Supply voltage	12VDC,PoE
Text display	ON/OFF switchable
DORI:	
Observe (62 px/m)	59,9 - 144 m
Recognize (125 px/m)	17,8 - 71,4 m
Identify (250 px/m)	8,5 - 35,2 m
Detect (25px/m)	92,5 - 357,2 m

# IND-58M2812MTA

## Continuation of the specifications

Functions:	
Alarm processing	recording internal storage,E-Mail,HTTP,FTP,TCP,UDP,alarm out,Cloud Upload
Motion detector	yes
Digital noise reduction (DNR)	3D-DNR,yes
Menu languages	English,German,French,Italian,Portugese,Spanish,Turkish,Russian,Japanese
Mirror function	V flip,H-flip,H/V flip
Multicast compliant	yes
Password protection	administrator & users
Privacy zone masking	Areas-ON/OFF switchable
Web browser	MS Internet Explorer 10/11,Safari V12.1 above,Firefox V.52 above,Google Chrome V.57 above,Edge V.79 above
Camera:	
Imager	Sony STARVIS,Sensor IMX415,CMOS
Automatic electronic shutter (ESC)	1/5 ~ 1/20.000sec.
Flickerless function	yes
Backlight compensation	BLC,HLC
Low speed shutter	yes
Manual electronic shutter (MES)	1/5 ~ 1/20.000sec.
Signal-to-noise ratio	44dB
Day&Night mode	Automatic,Day,Night,Image,Time
White balance	Automatic,Manual
Wide Dynamic Range (WDR)	WDR 120dB, WDR 120dB
Parts supplied:	
Parts supplied	manual,bag of screws
Network:	
Network protocols	TCP/IP,HTTP,DHCP,DNS,DDNS,RTP,RTSP,SMTP,NTP,UPnP,SNMP,HTTPS,FTP
Lens:	
Iris control	DC
Interfaces / Inputs/ Outputs:	
External connectors	RJ-45,Alarm in/output,Audio input/output,12VDC input (DC plug),connection cable approx.30cm,micro SD card slot 256 GB
Video:	
Resolution	3840x2160 (16:9),2592x1944 (4:3),2592x1520 (16:9),2304x1296 (16:9),1920x1080 (16:9),1280x960 (4:3),1280x720 (16:9),640x480 (4:3),320x240 (4:3),2880x1620 (16:9)
Image display	16:9,4:3
Stream types	Triple-Stream(Main/Sub/Mobile)
Other	

# IND-58M2812MTA

## Continuation of the specifications

Dimensions (HxWxD)	135x126,5mm
eneo_test	4260229840559
Remarks	NDAA compliance under Section 889, Part A.,The face detection and license plate recognition functions are only available with an inserted SD card or in conjunction with a recorder from the eneo IN series.
Series	eneo IN-Serie
Camera Type	Gesichtserkennung, Kennzeichenerkennung, Personenzählung, Retail Intelligence
Resolution Standard	8 Megapixel
System	24h Farbe
Sensor size	1/2,8"
Aufnahmesensor	CMOS
Video compression	H.264, H.264+, H.265, H.265+, M-JPEG
Image resolution max.	3840x2160
Image Transmission Rate	30 fps
Day&Night switch	Schaltbarer IR-Filter (ICR)
Sensitivity	0,007 Lux
Lichtempfindlichkeit	bei F1,0
Low Speed Shutter	ja
Digitale Rauschunterdrückung	ja
Gegenlichtkompensation	BLC, HLC
Bewegungsmelder	ja
Lens Type	Varifokal (motorisiert)
Objektiv Typ	Varifokal (motorisiert)
Focal Length	2,8 - 12 mm
Blendensteuerung	DC
Zoom Factor	4x
Digital Zoom	ja
Horizontal Angle of View	107 - 34°
Vertical Angle of View	56 - 19°
Beleuchtung	Infrarot, Weißlicht
Housing	Außen
Color (housing)	Pantone P 179-1 , RAL9003
Housing material	Aluminium
Heater	nein
Videoausgänge	nein
Alarm inputs	1
Alarm outputs	1
Audio support	ja
Ethernet interface	100Base-TX, 10Base-T
Serial interfaces	Ethernet
Internal storage	256GB, microSDHC-Karte, microSDXC-Karte

# IND-58M2812MTA

Continuation of the specifications

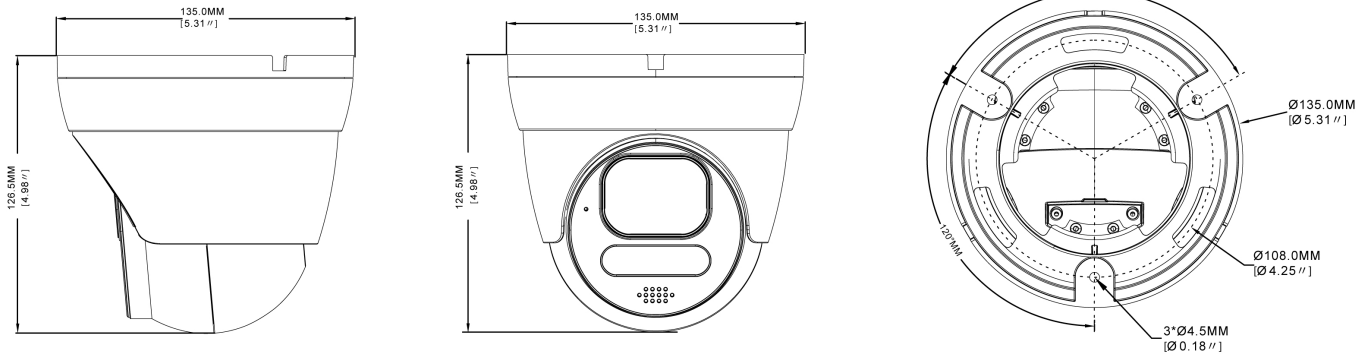
Analysis functions	Anwesenheit (FA), Durchgangszählung (CC), Eindringen (PID), Gesichtsattribute (AD), Gesichtserfassung (FD), Gesichtserkennung (FR), Heat Map (HM), Kennteichenerfassung (LPD), Kennzeichenerkennung (LPR), Linienüberquerung (LCD), Menschenmengen (CD), Objekt-Klassifikation Mensch / Fahrzeug (PD&VD), Seltene Geräusche (RSD), Warteschlangen (QD), Zurückgelassene und entfernte Objekte (SOD)
Mounting	Deckenmontage, Wandmontage
Stromversorgung	12VDC, PoE
Power consumption	8,6W
Power over Ethernet	IEEE 802.3af
Vandal proof	nein
Operating temperature	-35°C ~ +60°C, @ Luftfeuchtigkeit 90% oder weniger (nicht kondensierend)
ONVIF	ONVIF Profile G, ONVIF Profile S, ONVIF Profile T
Protection rating	IP67
Camera type	Dome
Audio	1/1 Line Ein- und Ausgang, 2 Wege Audio
Remote configuration	Browser
Illumination range	ca. 20m Weißlicht, ca. 25m
Weight	820g
Hersteller-Nummer	236667
EAN/GTIN	4260229840559

## Optional Accessory

SKU	Name	Description
233775	AK-21	Camera connection box for Wall and ceiling mounting, IN Series Bullet Cameras
235339	AK-24	Dual camera connection box for Bullet or Fix Dome IN-Series cameras
236663	DOME-WB8	Wall bracket for PTZ dome INP-54M2812M0A and IND-5 Dome Series
218218	eneo Site Manager	Management Software for eneo IP products
236198	IPC Installation Tool	Supports adjustments for cameras with AI features for IN-series
235340	WB-24	Wall bracket for Dual camera connection box AK-24

# IND-58M2812MTA

## Technical Drawing



Maße / Dimensions: mm



eneo is a registered trademark of  
VIDEOR E. Hartig GmbH  
Carl-Zeiss-Straße 8

63322 Rödermark, Deutschland

Phone: +49 6074 - 888 - 300  
Fax: +49 6074 - 888 - 100  
E-Mail: [info@eneo-security.com](mailto:info@eneo-security.com)  
Web: [www.eneo-security.com](http://www.eneo-security.com)

Stay informed and subscribe  
to the eneo newsletter

