



# IND-45F0022M0A

SKU: 236320



Mini Network Dome Fix, 2880x1620, TDay/Night, WDR, AI 2,2mm, IR, 12VDC, PoE, IP66

## Main Features

- 1/2,7" CMOS-Sensor, maximale Auflösung 5 MP/30fps
- AI-Analysefunktionen inklusive Objektklassifizierung
- WDR 120dB, 3D-DNR Rauschunterdrückung
- Objektiv mit Festbrennweite 2,8mm (HFOV 156°)
- Smart Codec H.265/H.264, Multi-Streaming
- Browserunabhängig (IE, Edge, Safari, Firefox, Chrome)

- Unterstützt ONVIF Profile S und Profile T
- Mehrsprachige Menüführung (OSD)
- Lokale Speicherung mittels Micro SD Karte
- Unterstützt Audio (eingebautes Mikrofon)
- Spannungsversorgung PoE IEEE 802.3af
- IR-LED Beleuchtung, IP66

## Specifications

General:	
Illumination	1x High Power LED 850nm,infrared
SDK	upon request
Supply voltage	PoE
Text display	ON/OFF switchable
DORI:	
Observe (62 px/m)	20,7 m
Recognize (125 px/m)	9,7 m
Identify (250 px/m)	4,3 m
Detect (25px/m)	57,2 m
Functions:	

# IND-45F0022M0A

## Continuation of the specifications

Alarm processing	recording internal storage,E-Mail,HTTP,FTP,TCP,UDP,Cloud Upload
Motion detector	yes
Digital noise reduction (DNR)	3D-DNR,yes
Menu languages	English,German,French,Italian,Portugese,Spanish,Turkish,Russian,Japanese
Mirror function	V flip,H-flip,H/V flip
Multicast compliant	yes
Password protection	administrator & users
Privacy zone masking	Areas-ON/OFF switchable
Web browser	MS Internet Explorer 10/11,Safari V12.1 above,Firefox V.52 above,Google Chrome V.57 above,Edge V.79 above
Camera:	
Imager	SmartSens,SC500AI,CMOS
Automatic electronic shutter (ESC)	1/5 ~ 1/20.000sec.
Flickerless function	yes
Backlight compensation	BLC,HLC
Low speed shutter	yes
Manual electronic shutter (MES)	1/5 ~ 1/20.000sec.
Signal-to-noise ratio	39dB
Day&Night mode	Automatic,Day,Night,Image,Time
White balance	Automatic,Manual
Wide Dynamic Range (WDR)	WDR 120dB, WDR 120dB
Parts supplied:	
Parts supplied	manual,bag of screws
Network:	
Network protocols	TCP/IP,HTTP,DHCP,DNS,DDNS,RTP,RTSP,SMTP,NTP,UPnP,SNMP,HTTPS,FTP
Lens:	
Iris control	DC
Interfaces / Inputs/ Outputs:	
External connectors	RJ-45,micro SD card slot 256 GB
Video:	
Resolution	2880x1620 (16:9),2592x1520 (16:9),2304x1296 (16:9),1920x1080 (16:9),1280x960 (4:3),1280x720 (16:9),640x480 (4:3),320x240 (4:3)
Image display	16:9,4:3,VerticalView
Stream types	Triple-Stream(Main/Sub/Mobile)
Other	
Dimensions (HxWxD)	115,3x64,3mm
eneo_test	4260229840542
Remarks	NDAA compliance under Section 889, Part A.,The face detection and license plate recognition functions are only available with an inserted SD card or in conjunction with a recorder from the eneo IN series.

# IND-45F0022M0A

## Continuation of the specifications

Series	eneo IN-Serie
Camera Type	Gesichtserkennung, Kennzeichenerkennung, Personenzählung, Retail Intelligence
Resolution Standard	5 Megapixel
System	True Day&Night
Sensor size	1/2,7"
Aufnahmesensor	CMOS
Video compression	H.264, H.264+, H.265, H.265+, M-JPEG
Image resolution max.	2880x1620
Image Transmission Rate	30 fps
Day&Night switch	Schaltbarer IR-Filter (ICR)
Sensitivity	0,002 Lux
Lichtempfindlichkeit	bei F1,6
Low Speed Shutter	ja
Digitale Rauschunterdrückung	ja
Gegenlichtkompensation	BLC, HLC
Bewegungsmelder	ja
Lens Type	Festbrennweite
Objektiv Typ	Festbrennweite
Focal Length	2,2 mm
Blendensteuerung	DC
Digital Zoom	ja
Horizontal Angle of View	156°
Vertical Angle of View	81°
Beleuchtung	Infrarot
Housing	Außen
Color (housing)	Pantone P 179-1 , RAL9003
Color (bubble)	klar
Housing material	Aluminium, Kunststoff
Heater	nein
Blower	nein
Alarm inputs	nein
Alarm outputs	nein
Audio support	ja
Ethernet interface	100Base-TX, 10Base-T
Serial interfaces	Ethernet
Internal storage	256GB, microSDHC-Karte, microSDXC-Karte
Analysis functions	Anwesenheit (FA), Durchgangszählung (CC), Eindringen (PID), Gesichtsattribute (AD), Gesichtserfassung (FD), Gesichtserkennung (FR), Heat Map (HM), Kennzeichenerfassung (LPD), Kennzeichenerkennung (LPR), Linienüberquerung (LCD), Menschenmengen (CD), Objekt-Klassifikation Mensch / Fahrzeug (PD&VD), Seltene Geräusche (RSD), Warteschlangen (QD), Zurückgelassene und entfernte Objekte (SOD)

# IND-45F0022M0A

Continuation of the specifications

Mounting	Deckenmontage, Wandmontage
Stromversorgung	PoE
Power consumption	4,5W
Power over Ethernet	IEEE 802.3af
Vandal proof	nein
Operating temperature	-35°C ~ +60°C, @ Luftfeuchtigkeit 90% oder weniger (nicht kondensierend)
ONVIF	ONVIF Profile G, ONVIF Profile S, ONVIF Profile T
Protection rating	IP66
Camera type	Dome
Audio	1 Weg Audio, eingebautes Mikrofon
Remote configuration	Browser
Illumination range	ca. 20m
Weight	265g
Hersteller-Nummer	236320
EAN/GTIN	4260229840542

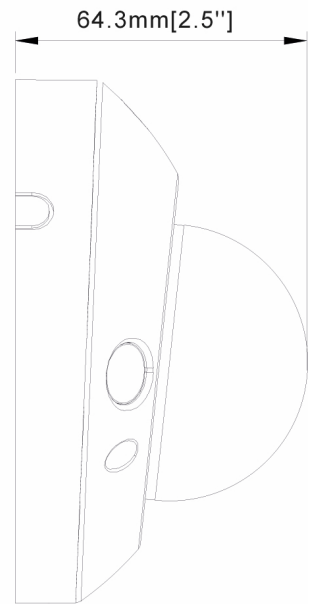
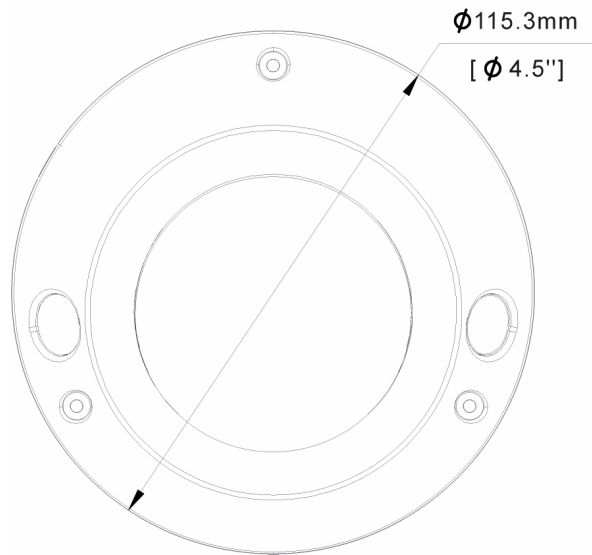
## Optional Accessory

SKU	Name	Description
218218	eneo Site Manager	Management Software for eneo IP products
236198	IPC Installation Tool	Supports adjustments for cameras with AI features for IN-series

# IND-45F0022M0A

## Technical Drawing

UNIT:mm[inch]



Maße / Dimensions: mm



eneo is a registered trademark of  
VIDEOR E. Hartig GmbH  
Carl-Zeiss-Straße 8

63322 Rödermark, Deutschland

Phone: +49 6074 - 888 - 300  
Fax: +49 6074 - 888 - 100  
E-Mail: [info@eneo-security.com](mailto:info@eneo-security.com)  
Web: [www.eneo-security.com](http://www.eneo-security.com)

Stay informed and subscribe  
to the eneo newsletter

