

# INP-75A0033MIA

SKU: 234751



Netzwerk Dome, PTZ, 33x 2952x1944, Tag/Nacht, WDR, AI Alarm, Audio, 24/12V, PoE, IP66

## Main Features

1/2.7" CMOS sensor, maximum resolution 5 MP/30fps

AI analysis functions including object classification

WDR 120dB, 3D-DNR Noise Reduction

Motorized autofocus zoom lens 33x 4.3-142mm

Smart Codec H.265/H.264, multi-streaming

Browser independent (IE, Edge, Safari, Firefox, Chrome)

Supports ONVIF Profile S and Profile T

Local storage via Micro SD card

Supports audio and external alarm input and output

Power supply 12VDC, 24VAC or PoE IEEE 802.3at

IR LED illumination, IP66

Wall bracket included

## Specifications

Series	eneo IN-Series
Camera:	
Camera type	PTZ
Sensor size	1/2.7"
Resolution Standard	5 Megapixel
Imager	CMOS, OmniVision, OS05A20
System	True Day&Night
Sensitivity	0,003 Lux, at F1.6
Low Speed Shutter	yes
Manual electronic shutter (MES)	1/5 ~ 1/20.000sec.
Automatic electronic shutter (ESC)	1/5 ~ 1/20.000sec.

# INP-75A0033MIA

## Continuation of the specifications

Wide Dynamic Range (WDR)	WDR 120dB
Flickerless function	yes
Backlight Compensation	BLC,HLC
Day&Night switch	ICR
Day&Night mode	auto,day,night,Image,time
White balance	automatic
Video:	
Resolution	2592x1944 (4:3),2592x1520 (16:9),2304x1296 (16:9),1920x1080 (16:9),1280x960 (4:3),640x480 (4:3),320x240 (4:3)
Image resolution max.	2592x1944
Image display	16:9,4:3
Stream types	Triple-Stream(Main/Sub/Mobile)
Image Transmission Rate	30 fps
Video compression	H.264,H.265,H.264+ (Smart Stream),H.265+ (Smart Stream),M-JPEG
Lens:	
Lens Type	auto focus zoom
Focal Length	4,3 - 142 mm
Digital Zoom	yes
Iris Control	DC
Vertical Angle of View	41,6 - 1,7°
Horizontal Angle of View	55 - 2,3°
DORI:	
Detect (25px/m)	90,2 - 2728,4 m
Observe (62 px/m)	35,6 - 1107,3 m
Recognize (125 px/m)	17 - 548,3 m
Identify (250 px/m)	7,5 - 273,3 m
Functions:	
Multicast compliant	yes
Motion Detector	yes
Analysis functions	intrusion,Line detection,Object classification (person / vehicle),Object left,removed,trip wire detection with counting and direction detection,Crowd detection,Queue management,Heatmapping,audio detection,face recognition,license plate recognition,License plate detection,Face detection
Alarm processing	recording internal storage,E-Mail,FTP
Presets	250 presets
Patterns	4 pattern
Home position	included
Tours	up to 1 user programmable guard tour
Rotation range	360°
Speed (manual)	0.6° to 200°/s°/Sek.

# INP-75A0033MIA

## Continuation of the specifications

Speed (preset)	0.6° to 200°/s°/Sek.
Audio support	yes
Audio	1/1 Line input and output,2 Way Audio
Password protection	administrator & users
Internal storage	microSDHC card,microSDXC card
Menu languages	English,German,French,Italian,Portugese,Spanish,Turkish,Russian,Japanese
Privacy zone masking	Areas-ON/OFF switchable
Remote configuration	web browser
Web browser	MS Internet Explorer 10/11,Safari V12.1 above,Firefox V.52 above,Google Chrome V.57 above,Edge V.79 above
Mirror function	flip,mirror
Digital Noise Reduction	yes
Digital noise reduction (DNR)	3D-DNR
Network:	
Network protocols	TCP/IP,HTTP,DHCP,DNS,DDNS,RTP,RTSP,SMTP,NTP,UPnP,SNMP,HTTPS,FTP
Interfaces / Inputs/ Outputs:	
External connectors	RJ-45,micro SD card slot,audio input/output,12VDC input (DC plug),connection cable approx.45cm
Ethernet interface	10Base-T,100Base-TX
Alarm inputs	no
Alarm outputs	no
Serial interfaces	Ethernet
General:	
Dimensions (HxWxD)	206,4×351,8mm
Weight	3.7kg
Illumination	infrared
Illumination	10x LED 850nm
Illumination range	approx. 150m
Color (housing)	RAL9003,Pantone P 179-1,black
Housing	outdoor
Housing material	aluminium
Heater	no
Integrated wall mount	no
Power consumption	25,5W
Blower	no
Mounting	wall mount,ceiling mount
ONVIF	ONVIF Profile G,ONVIF Profile S,ONVIF Profile T
Power over Ethernet	IEEE 802.3at
Protection rating	IP66
Sunshield	no

# INP-75A0033MIA

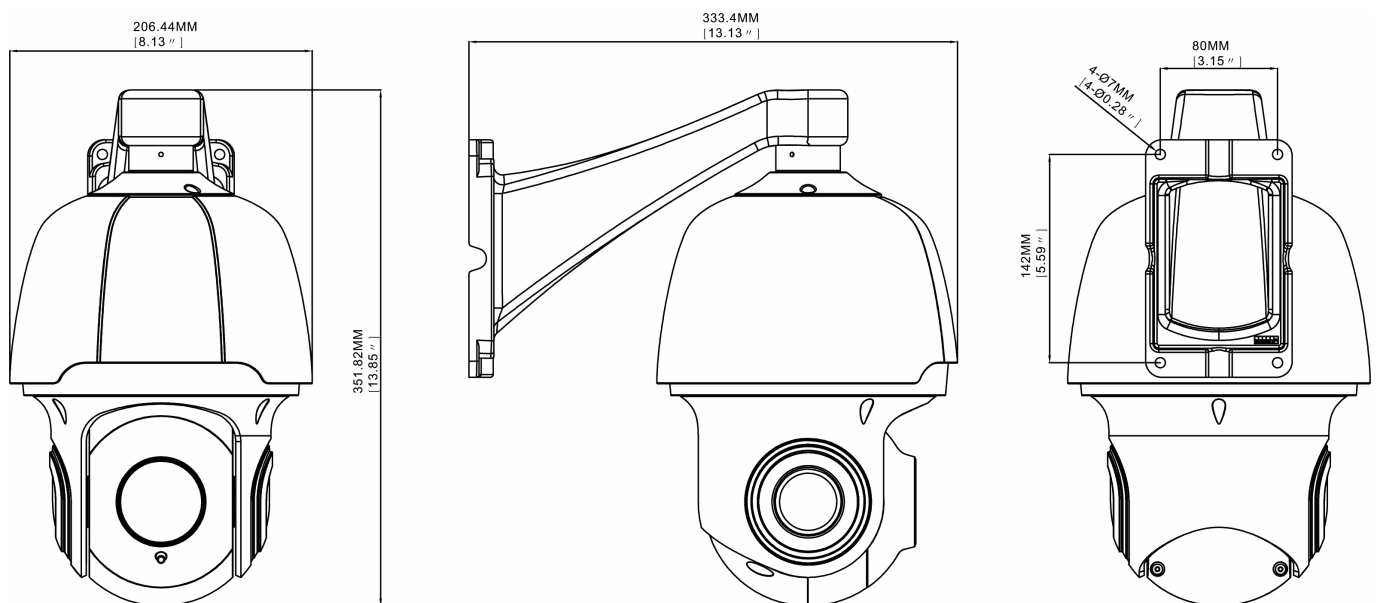
Continuation of the specifications

Supply voltage	12VDC,PoE
Operating temperature	-30°C ~ +60°C,@ Humidity 90% or less (non-condensing)
Text display	ON/OFF switchable
Vandal proof	no
Parts supplied:	
Parts supplied	manual,wall bracket,bag of screws
Remarks	NDA compliance under Section 889, Part A.,The Face Detection and License Plate Recognition functions are only available with an inserted SD card or in conjunction with a recorder from the eneo IN series.

## Optional Accessory

SKU	Name	Description
235562	CM-22	Corner mounting adapter for wall bracket WB-24 and PTZ dome camera INP-75A0033MIA
218218	eneo Site Manager	Management Software for eneo IP products
236198	IPC Installation Tool	Supports adjustments for cameras with AI features for IN-series
235257	PM-21	Pole mounting adapter for camera connection box AK-20 and AK-21

## Technical Drawing



eneo is a registered trademark of  
 VIDEOR E. Hartig GmbH  
 Carl-Zeiss-Straße 8  
 63322 Rödermark, Deutschland

Phone: +49 6074 - 888 - 300  
 Fax: +49 6074 - 888 - 100  
 E-Mail: info@eneo-security.com  
 Web: www.eneo-security.com

Stay informed and subscribe  
 to our newsletter

