

INP-54M2812M0A

SKU: 236326



Network Dome, PTZ, 4x 2560x1440, Day/Night, WDR, A Audio, 12VDC, PoE, IP66, IK10

Main Features

1/1,8" High Sensitiv SmartSens CMOS-Sensor,

Maximale Auflösung 2560x1440 Pixel, 60fps

AI Analysefunktionen inklusive Objektklassifizierung

WDR 120dB, 3D-DNR Rauschunterdrückung

Motorisiertes Varifokal Objektiv 2,8-12mm

Smart Codec H.265/H.264, Multi-Streaming

Browserunabhängig (Edge, Safari, Firefox, Chrome)

Unterstützt ONVIF Profile S/T/G

Lokale Speicherung mittels Micro SD Karte

Eingebauter Lautsprecher und Mikrofon

Spannungsversorgung 12VDC oder PoE IEEE 802.3af

IR- und Weißlicht LED Beleuchtung, IP66, IK10

Specifications

General:	
Illumination	4x LED 850nm,4x White Light LED,infrared,white light
Integrated wall mount	no
SDK	upon request
Supply voltage	12VDC,PoE
Text display	ON/OFF switchable
DORI:	
Observe (62 px/m)	18,4 - 69,6 m
Recognize (125 px/m)	8,7 - 34,8 m
Identify (250 px/m)	3,6 - 17,1 m

INP-54M2812M0A

Continuation of the specifications

Detect (25px/m)	48,4 - 173 m
Functions:	
Alarm processing	recording internal storage,E-Mail,HTTP,FTP,TCP,UDP,Siren,Strobe light,Cloud Upload
Motion detector	yes
Digital noise reduction (DNR)	3D-DNR,yes
Menu languages	English,German,French,Italian,Portugese,Spanish,Turkish,Russian,Japanese
Mirror function	V flip,H-flip,H/V flip
Multicast compliant	yes
Password protection	administrator & users
Presets	255 presets
Privacy zone masking	Areas-ON/OFF switchable
Tours	n/a
Web browser	MS Internet Explorer 10/11,Safari V12.1 above,Firefox V.52 above,Google Chrome V.57 above,Edge V.79 above
Camera:	
Imager	SmartSens,SC4210,CMOS
Automatic electronic shutter (ESC)	1/5 ~ 1/20.000sec.
Flickerless function	yes
Backlight compensation	BLC,HLC
Low speed shutter	yes
Manual electronic shutter (MES)	1/5 ~ 1/20.000sec.
Signal-to-noise ratio	39dB
Day&Night mode	Automatic,Day,Time
White balance	Automatic,Manual
Wide Dynamic Range (WDR)	WDR 120dB, WDR 120dB
Parts supplied:	
Parts supplied	manual,bag of screws
Network:	
Network protocols	TCP/IP,HTTP,DHCP,DNS,DDNS,RTP,RTSP,SMTP,NTP,UPnP,SNMP,HTTPS,FTP
Lens:	
Iris control	DC
Interfaces / Inputs/ Outputs:	
External connectors	RJ-45,12VDC input (DC plug),connection cable approx.45cm,micro SD card slot 256 GB
Video:	
Resolution	2560x1440 (16:9),2304x1296 (16:9),1920x1080 (16:9),1280x720 (16:9),640x480 (4:3),352:240 (4:3)
Image display	16:9,4:3
Stream types	Triple-Stream(Main/Sub/Mobile)

INP-54M2812M0A

Continuation of the specifications

Other	
Dimensions (HxWxD)	118,8x153mm
eneo_test	4260229840528
Remarks	NDAA compliance under Section 889, Part A., The face recognition functions are only available with an inserted SD card or in conjunction with a recorder of the eneo IN series.
Series	eneo IN-Serie
Camera Type	Gesichtserkennung, Kennzeichenerkennung, Personenzählung, Retail Intelligence
Resolution Standard	4 Megapixel
System	True Day&Night
Sensor size	1/1,8"
Aufnahmesensor	CMOS
Video compression	H.264, H.264+, H.265, H.265+
Image resolution max.	2560x1440
Image Transmission Rate	30 fps
Day&Night switch	Schaltbarer IR-Filter (ICR)
Sensitivity	0,001 Lux
Lichtempfindlichkeit	bei F1,6
Low Speed Shutter	ja
Digitale Rauschunterdrückung	ja
Gegenlichtkompensation	BLC, HLC
Bewegungsmelder	ja
Lens Type	Varifokal (motorisiert)
Objektiv Typ	Varifokal (motorisiert)
Focal Length	2,8 - 12 mm
Blendensteuerung	DC
Zoom Factor	4x
Horizontal Angle of View	114,6 - 48,3°
Vertical Angle of View	59 - 27,1°
Beleuchtung	Infrarot, Weißlicht
Housing	Außen
Color (housing)	Pantone P 179-1 , RAL9003
Housing material	Aluminium
Heater	nein
Blower	nein
Rotation range	350°
Speed (manual)	50°/Sek.
Speed (preset)	50°/Sek.
Alarm inputs	nein
Alarm outputs	nein
Audio support	ja

INP-54M2812M0A

Continuation of the specifications

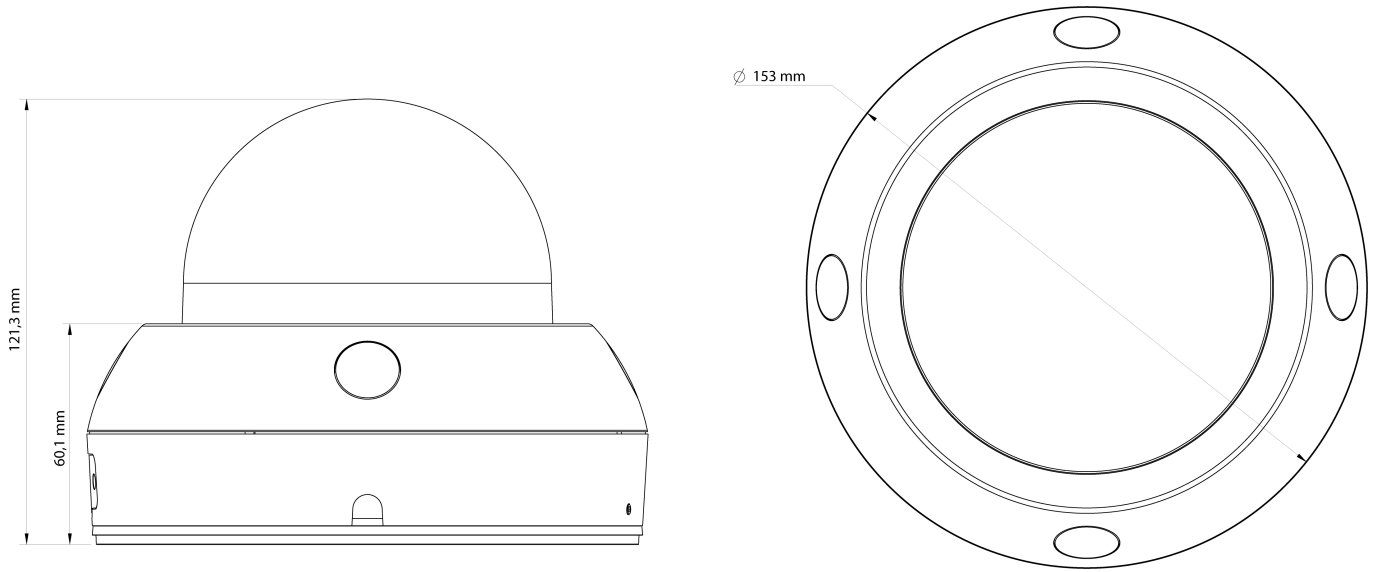
Ethernet interface	100Base-TX, 10Base-T
Serial interfaces	Ethernet
Internal storage	256GB, microSDHC-Karte, microSDXC-Karte
Analysis functions	Anwesenheit (FA), Durchgangszählung (CC), Eindringen (PID), Gesichtsattribute (AD), Gesichtserfassung (FD), Gesichtserkennung (FR), Heat Map (HM), Kennteichenerfassung (LPD), Kennzeichenerkennung (LPR), Linienüberquerung (LCD), Menschenmengen (CD), Objekt-Klassifikation Mensch / Fahrzeug (PD&VD), Seltene Geräusche (RSD), Warteschlangen (QD), Zurückgelassene und entfernte Objekte (SOD)
Mounting	Deckenmontage, Wandmontage
Stromversorgung	12VDC, PoE
Power consumption	15W
Power over Ethernet	IEEE 802.3af
Vandal proof	ja
Operating temperature	-30°C ~ +60°C, @ Luftfeuchtigkeit 90% oder weniger (nicht kondensierend)
ONVIF	ONVIF Profile G, ONVIF Profile S, ONVIF Profile T
Certifications	IK10
Protection rating	IP66
Camera type	PTZ
Audio	eingebauter Lautsprecher, eingebautes Mikrofon
Remote configuration	Browser
Illumination range	ca. 20m
Weight	950g
Hersteller-Nummer	236326
EAN/GTIN	4260229840528

Optional Accessory

SKU	Name	Description
236664	AK-29	Camera connection box for PTZ Dome INP-54M2812M0A
236663	DOME-WB8	Wall bracket for PTZ dome INP-54M2812M0A and IND-5 Dome Series
218218	eneo Site Manager	Management Software for eneo IP products
236198	IPC Installation Tool	Supports adjustments for cameras with AI features for IN-series

INP-54M2812M0A

Technical Drawing



Maße / Dimensions: mm

