

INP-72A0018MIA

SKU: 236322



Netzwerk Dome, PTZ, 18x 1920x1080, Day/Night, WDR, AI Alarm, Audio, 12VDC, PoE+, IP6

Main Features

1/2,7" SmartSens CMOS-Sensor	Browserunabhängig (Edge, Safari, Firefox, Chrome)
Maximale Auflösung 1920x1080 Pixel, 30fps	Unterstützt ONVIF Profile S/T/G
AI-Analysefunktionen inklusive Objektklassifizierung	Lokale Speicherung mittels Micro SD Karte
WDR 120dB, 3D-DNR Rauschunterdrückung	Audio & Alarm Ein- und Ausgang
Motorisiertes Autofokus-Zoom-Objektiv 18-fach 5,0-90mm	Spannungsversorgung 12VDC oder PoE IEEE 802.3at
Smart Codec H.265/H.264, Multi-Streaming	IR-LED Beleuchtung, IP66

Specifications

General:	
Illumination	infrared
Integrated wall mount	no
SDK	upon request
Supply voltage	12VDC,PoE+
Text display	ON/OFF switchable
DORI:	
Observe (62 px/m)	29,4 - 518,8 m
Recognize (125 px/m)	14,4 - 258 m
Identify (250 px/m)	7,2 - 127 m
Detect (25px/m)	73,9 - 1260 m

INP-72A0018MIA

Continuation of the specifications

Functions:	
Alarm processing	recording internal storage,E-Mail,HTTP,FTP,TCP,UDP,alarm out,Cloud Upload
Motion detector	yes
Digital noise reduction (DNR)	3D-DNR,yes
Menu languages	English,German,French,Italian,Portugese,Spanish,Turkish,Russian,Japanese
Mirror function	flip,mirror
Multicast compliant	yes
Password protection	administrator & users
Presets	250 presets
Privacy zone masking	Areas-ON/OFF switchable
Tours	up to 1 user programmable guard tour
Web browser	MS Internet Explorer 10/11,Safari V12.1 above,Firefox V.52 above,Google Chrome V.57 above,Edge V.79 above
Camera:	
Imager	CMOS
Automatic electronic shutter (ESC)	1/5 ~ 1/20.000sec.
Flickerless function	yes
Backlight compensation	BLC,HLC
Low speed shutter	yes
Manual electronic shutter (MES)	1/5 ~ 1/20.000sec.
Signal-to-noise ratio	39dB
Day&Night mode	Automatic,Day,Night,Image,Time
White balance	Automatic,Manual
Wide Dynamic Range (WDR)	WDR 120dB, WDR 120dB
Parts supplied:	
Parts supplied	manual,wall bracket,bag of screws
Network:	
Network protocols	TCP/IP,HTTP,DHCP,DNS,DDNS,RTP,RTSP,SMTP,NTP,UPnP,SNMP,HTTPS,FTP
Lens:	
Iris control	DC
Interfaces / Inputs/ Outputs:	
External connectors	RJ-45,Audio input/output,Alarm in/output,12VDC input (DC plug),connection cable approx.45cm,micro SD card slot 256 GB
Video:	
Resolution	1920x1080 (16:9),1280x960 (4:3),1280x720 (16:9),640x480 (4:3),352:240 (4:3)
Image display	16:9,4:3
Stream types	Triple-Stream(Main/Sub/Mobile)
Other	

INP-72A0018MIA

Continuation of the specifications

Dimensions (HxWxD)	270x160mm
eneo_test	4260229840535
Remarks	NDAA compliance under Section 889, Part A.,The face detection and license plate recognition functions are only available with an inserted SD card or in conjunction with a recorder from the eneo IN series.
Series	eneo IN-Serie
Camera Type	Gesichtserkennung, Kennzeichenerkennung, Personenzählung, Retail Intelligence
Resolution Standard	HD 1080p
System	True Day&Night
Sensor size	1/2,7"
Aufnahmesensor	CMOS
Video compression	H.264, H.264+, H.265, H.265+, M-JPEG
Image resolution max.	1920x1080
Image Transmission Rate	30 fps
Day&Night switch	Schaltbarer IR-Filter (ICR)
Sensitivity	0,0003 Lux
Lichtempfindlichkeit	bei F1,6
Low Speed Shutter	ja
Digitale Rauschunterdrückung	ja
Gegenlichtkompensation	BLC, HLC
Bewegungsmelder	ja
Lens Type	Auto Fokus Zoom
Objektiv Typ	Auto Fokus Zoom
Focal Length	5 - 90 mm
Blendensteuerung	DC
Zoom Factor	18x
Horizontal Angle of View	53,3 - 3,8°
Vertical Angle of View	30,7 - 2,2°
Beleuchtung	Infrarot
Housing	Außen
Color (housing)	Pantone P 179-1 , RAL9003, schwarz
Housing material	Aluminium
Heater	nein
Blower	nein
Rotation range	360°
Speed (manual)	80°/Sek.
Speed (preset)	120°/Sek.
Pattern	4 Abfahrten
Alarm inputs	1
Alarm outputs	1
Audio support	ja

INP-72A0018MIA

Continuation of the specifications

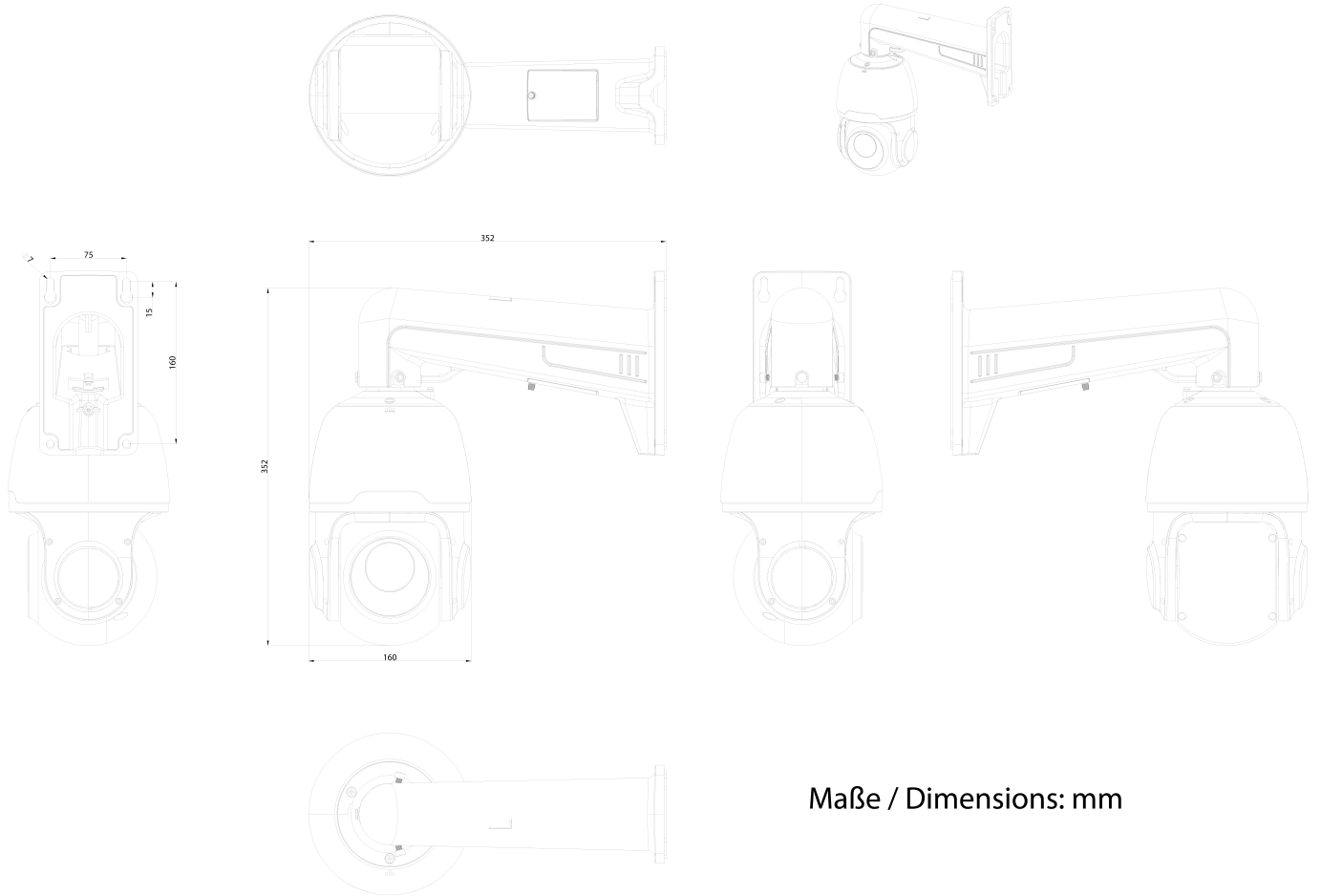
Ethernet interface	100Base-TX, 10Base-T
Serial interfaces	Ethernet
Internal storage	256GB, microSDHC-Karte, microSDXC-Karte
Analysis functions	Anwesenheit (FA), Durchgangszählung (CC), Eindringen (PID), Gesichtsattribute (AD), Gesichtserfassung (FD), Gesichtserkennung (FR), Heat Map (HM), Kennteichenerfassung (LPD), Kennzeichenerkennung (LPR), Linienüberquerung (LCD), Menschenmengen (CD), Objekt-Klassifikation Mensch / Fahrzeug (PD&VD), Seltene Geräusche (RSD), Warteschlangen (QD)
Mounting	Wandmontage
Stromversorgung	12VDC, PoE+
Power consumption	22W
Power over Ethernet	IEEE 802.3at
Vandal proof	nein
Operating temperature	-30°C ~ +60°C, @ Luftfeuchtigkeit 90% oder weniger (nicht kondensierend)
ONVIF	ONVIF Profile G, ONVIF Profile S, ONVIF Profile T
Protection rating	IP66
Camera type	PTZ
Audio	1/1 Line Ein- und Ausgang, 2 Wege Audio
Remote configuration	Browser
Illumination range	ca. 100m
Weight	2,5kg
Hersteller-Nummer	236322
EAN/GTIN	4260229840535

Optional Accessory

SKU	Name	Description
235562	CM-22	Corner mounting adapter for wall bracket WB-24 and PTZ dome camera INP-75A0033MIA
218218	eneo Site Manager	Management Software for eneo IP products
236198	IPC Installation Tool	Supports adjustments for cameras with AI features for IN-series
235257	PM-21	Pole mounting adapter for camera connection box AK-20 and AK-21

INP-72A0018MIA

Technical Drawing



Maße / Dimensions: mm



eneo is a registered trademark of
VIDEOR E. Hartig GmbH
Carl-Zeiss-Straße 8

63322 Rödermark, Deutschland

Phone: +49 6074 - 888 - 300
Fax: +49 6074 - 888 - 100
E-Mail: info@eneo-security.com
Web: www.eneo-security.com

Stay informed and subscribe
to the eneo newsletter

