



# AK-26

SKU: 235526



Camera junction box for wall- and ceiling mount Fix dome cameras IN-Serie

## Main Features

Professional installation

For wall and ceiling surface mounting

Weatherproof IP64

Easy and fast cable connection

Compatible with the following products

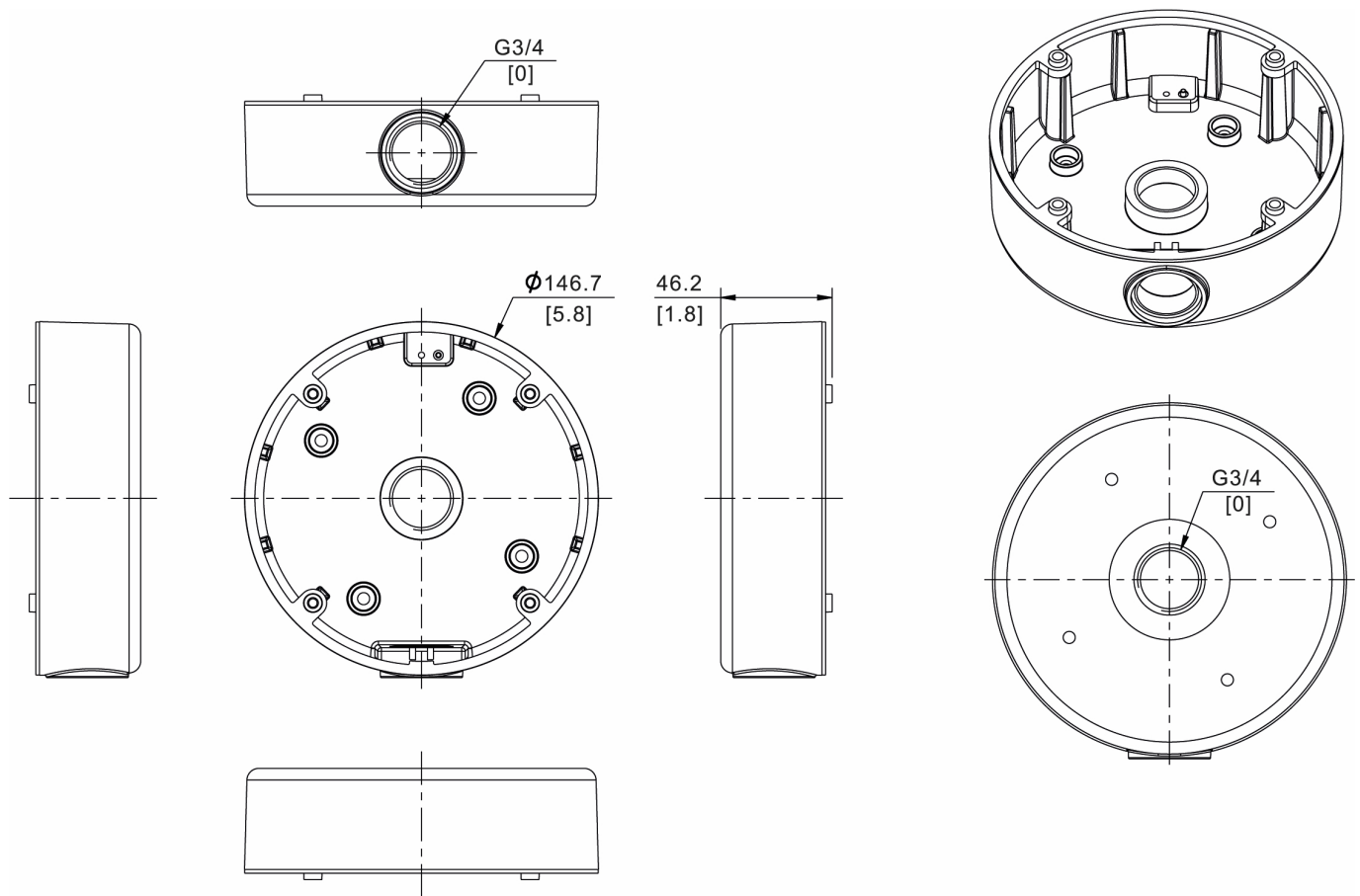
IN Series Fix Dome Cameras

## Specifications

Series	eneo IN-Series
Dimensions (HxWxD)	see drawing
Weight	250g
Colour	RAL9003,Pantone P 179-1
Housing	aluminium
Protection rating	IP64
Parts supplied	mounting accessories

# AK-26

## Technical Drawing



Maße / Dimensions: mm



eneo is a registered trademark of  
VIDEOR E. Hartig GmbH  
Carl-Zeiss-Straße 8  
63322 Rödermark, Deutschland

Phone: +49 6074 - 888 - 300  
Fax: +49 6074 - 888 - 100  
E-Mail: [info@eneo-security.com](mailto:info@eneo-security.com)  
Web: [www.eneo-security.com](http://www.eneo-security.com)

Stay informed and subscribe  
to the eneo newsletter

