



# AK-28

SKU: 236325



Camera connection box for wall and ceiling mount, for Fisheye IND-32F0016P0A, Indoor

## Main Features

.....  
Anschlussbox für Innenraumanwendung  
.....

## Specifications

Parts supplied:	
Parts supplied	bag of screws
Other	
Dimensions (HxWxD)	siehe Maßzeichnung
Series	eneo IN-Serie
Housing	Aluminium
Protection rating	IP64
Weight	290g
Farbe	Pantone P 179-1, RAL 9003
Gehäuse	Aluminium
Hersteller-Nummer	236325

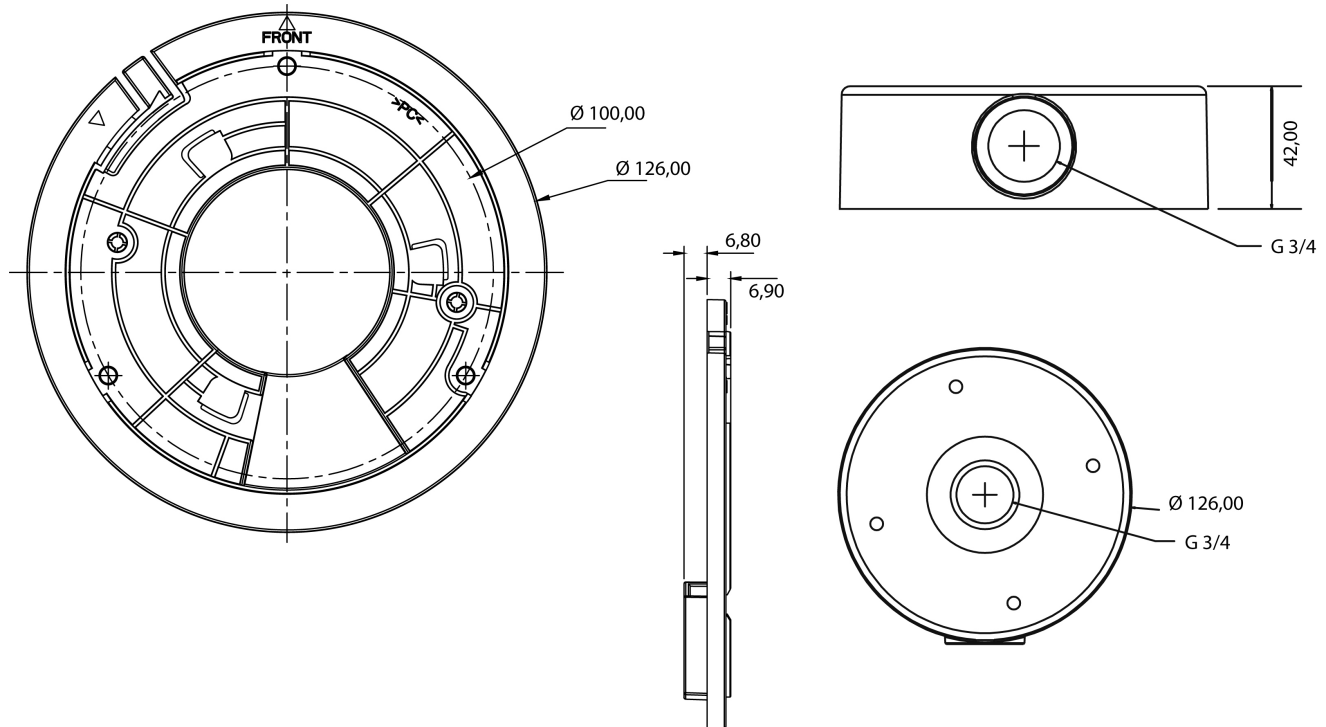
## Optional Accessory

SKU	Name	Description
218218	eneo Site Manager	Management Software for eneo IP products
236198	IPC Installation Tool	Supports adjustments for cameras with AI features for IN-series

# AK-28

Continuation of accessory

## Technical Drawing



Maße / Dimensions: mm



eneo is a registered trademark of  
VIDEOR E. Hartig GmbH  
Carl-Zeiss-Straße 8

63322 Rödermark, Deutschland

Phone: +49 6074 - 888 - 300  
Fax: +49 6074 - 888 - 100  
E-Mail: [info@eneo-security.com](mailto:info@eneo-security.com)  
Web: [www.eneo-security.com](http://www.eneo-security.com)

Stay informed and subscribe  
to the eneo newsletter

