

# IND-FMH2

SKU: 239856



Ceiling installation adapter with white cover ring for dome cameras IN-Series

## Main Features

Ceiling installation adapter for the following fixed dome cameras IN-Series

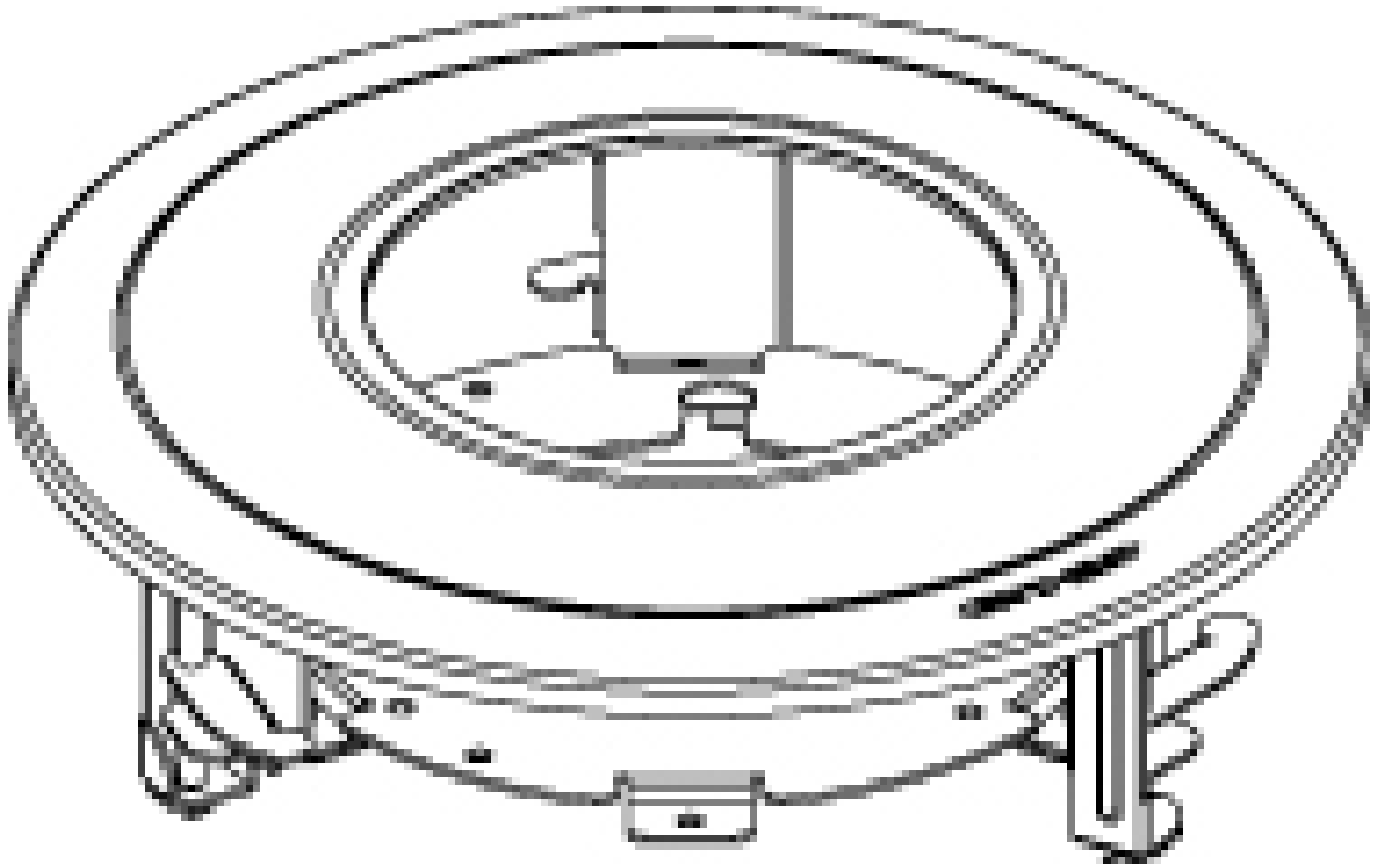
IND-62M2812M0A, IND-65M2713M0A, IND-68M2713M0A, IND-65M2812MFA, IND-68M2812MFA, MED-65M2812M0A

## Specifications

Other	
Dimensions (HxWxD)	see drawing
Parts supplied	mounting accessories
Series	eneo IN-Series
Housing	plastic
Color	Pantone P 179-1, RAL9003
Manufacturer order number	239856

# IND-FMH2

## Technical Drawing



eneo is a registered trademark of  
VIDEOR E. Hartig GmbH  
Carl-Zeiss-Straße 8

63322 Rödermark, Deutschland

Phone: +49 6074 - 888 - 300  
Fax: +49 6074 - 888 - 100  
E-Mail: [info@eneo-security.com](mailto:info@eneo-security.com)  
Web: [www.eneo-security.com](http://www.eneo-security.com)

Stay informed and subscribe  
to the eneo newsletter

